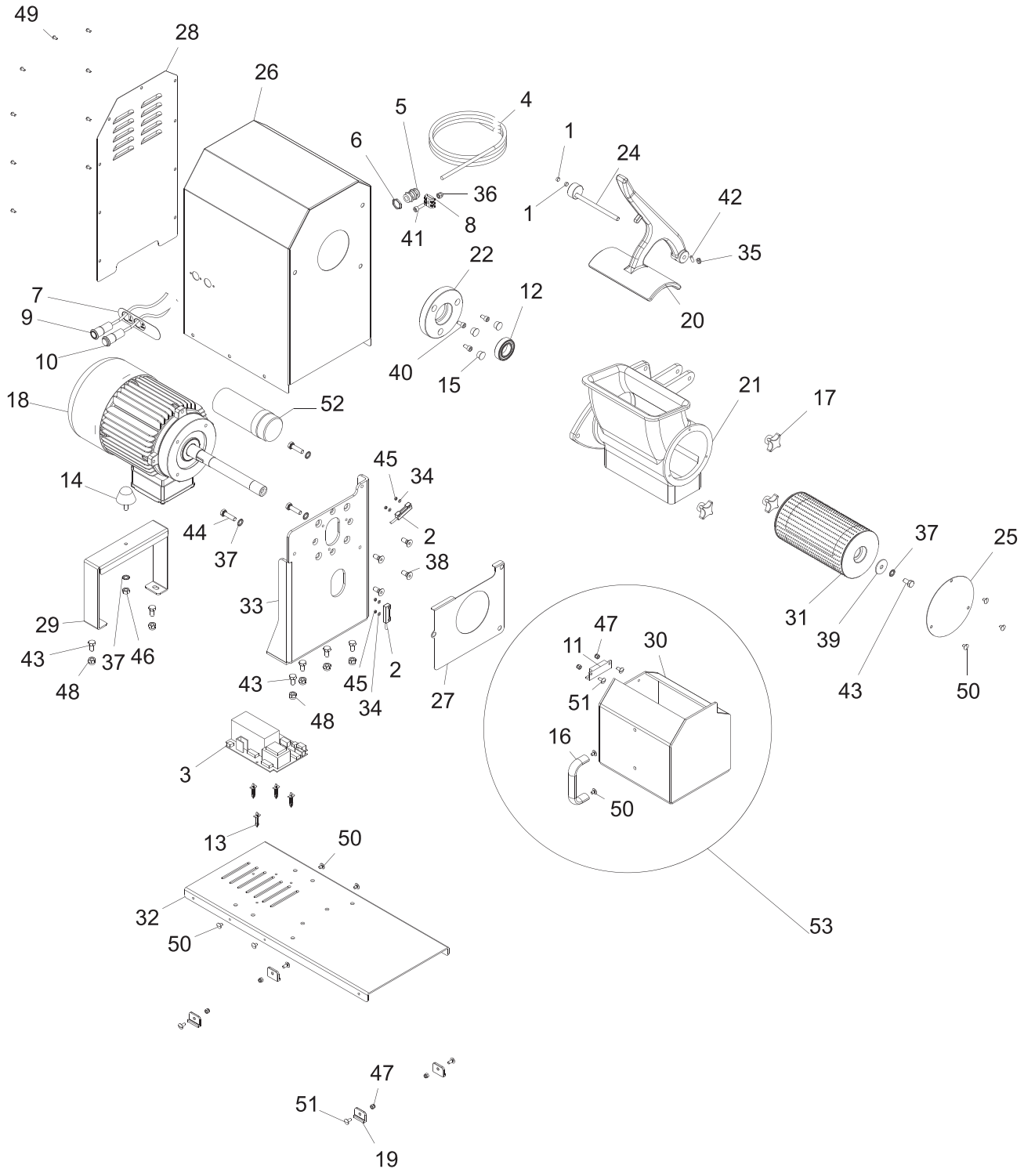


# Parts Breakdown

Model GR-IT-1491-B 19921



# Parts Breakdown

## Model GR-IT-1491-B 19921

Item No.	Description	Position	Item No.	Description	Position	Item No.	Description	Position
18960	Magnet SO Anodized for 19921	1	AM695	Motor. M90L HP 2 B34 4P 230/60 with Thermal Protection & Motor Brake CSA for 19921	18	69210	Indented Washer Din 6798-A D 8E for 19921	37
20262	Magnetic Contactor for 19921	2	69206	Leg Side IS 8/16 for 19921	19	62657	Screw TSPEI Din 7991 M8x20 for 19921	38
AM947	PCB Cutters (Self-Braking) for 19921	3	44917	Handle for 19921	20	69211	Washer Thick Din 9021 D8x32 for 19921	39
AG284	Cable 3x1.50 for 19921	4	66623	Grater Mouth Inox for 19921	21	69212	Screw TCEI Din 912 M6x12 for 19921	40
61604	Strain Relief + Nut for 19921	5	66624	Flange for 19921	22	62661	Hex.Socket Head Cap Screw M6x20 for 19921	41
61603	Nut Ott.Nich.PG 11 for 19921	6	41688	Pin for 19921	24	69213	Screw without Head Din913 M4x16 P.PN for 19921	42
AM948	Key Pad IS-SO for 19921	7	66622	Cover for 19921	25	62662	Screw TE Din 933 M8x16 T.F. for 19921	43
61608	Terminal Comb. BZ for 19921	8	69199	Hull X Casing for 19921	26	69214	Screw TE Din 933 M8x30 T.F. for 19921	44
60396	Stainless Steel On Button with Lamp for 19921	9	69207	Thickness Pressing Sheet of Mouth for 19921	27	69215	Nut Din 934 M3 for 19921	45
60397	Stainless Steel Off Button for 19921	10	69200	Casing Rear Panel for 19921	28	62666	Hex.Nut Din 934 M8 for 19921	46
65421	Magnetic Switch for 19921	11	18959	Plexi Glass Collecting Tray for 19921	30	60079	Self-Locking Nut ES Din 982 M5 High for 19921	47
AM954	Bearing 6005 2RS for 19921	12	41907	Drum for 19921	31	69216	Self Blocking Nut ES Din 982 M8 Upper for 19921	48
AM955	Dist. Plast Card TC22/32 Pol 3mm for 19921	13	69201	Bottom of Casing for 19921	32	69217	Screw Poeliers M4x8 for 19921	49
69203	Rubber Foot for 19921	14	69208	Upper Plastron for 19921	33	69218	Screw Poeliers M5x8 for 19921	50
69204	Plug Cover Hole Flange for 19921	15	69209	Washer Din 125 D3 for 19921	34	60080	Screw Poeliers M5x12 for 19921	51
69205	Handle 236-148 M5 Inter 94 for 19921	16	62648	Blind Nut Din 1587 M5 for 19921	35	37237	16MF Capacitor for 19921	52
60077	Fixing Knob for 19921	17	61583	Nut Din 1587 M6 for 19921	36	68848	Plexi Tray Assembly (Handle with Magnet) for 19921	53